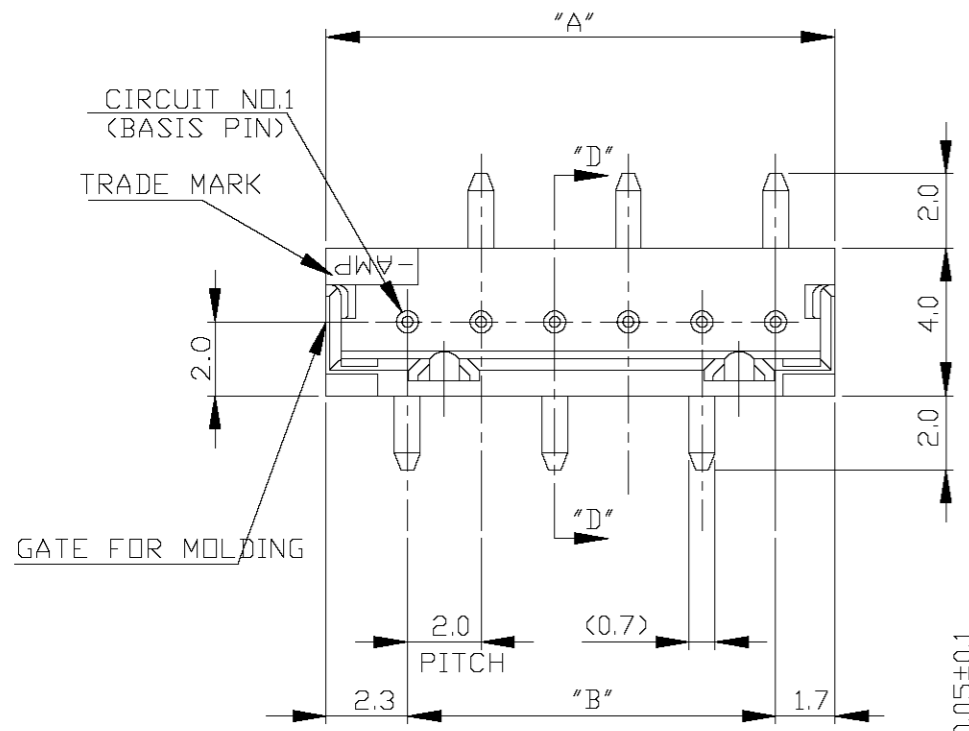
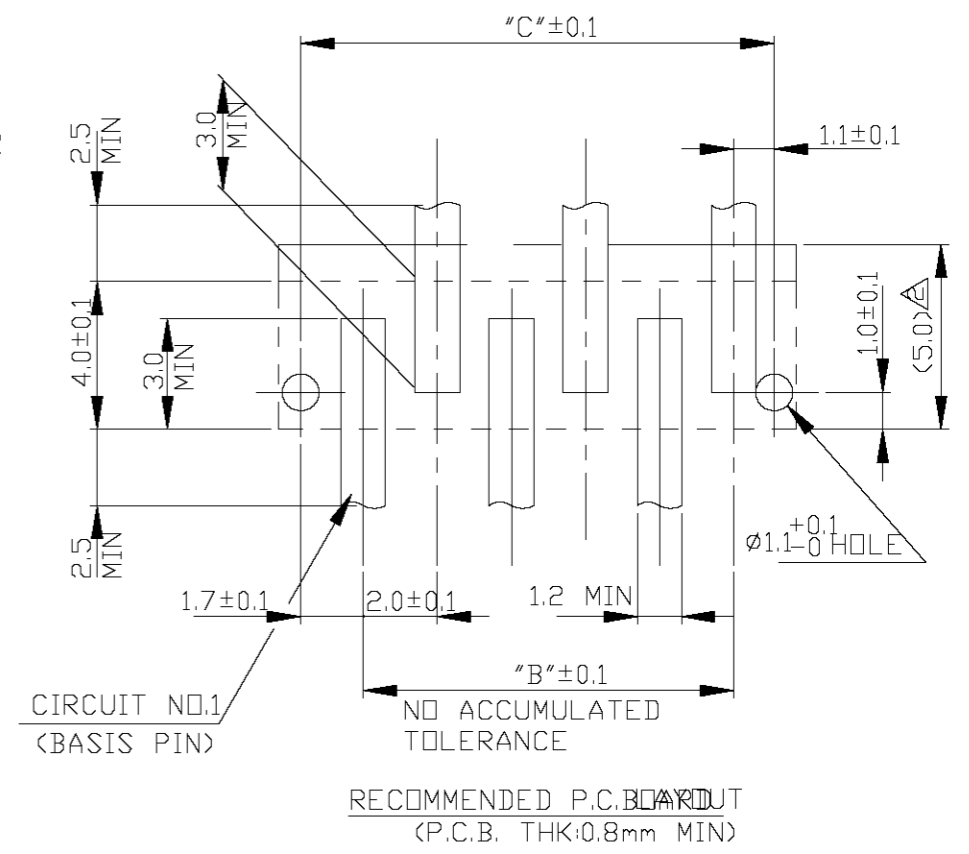
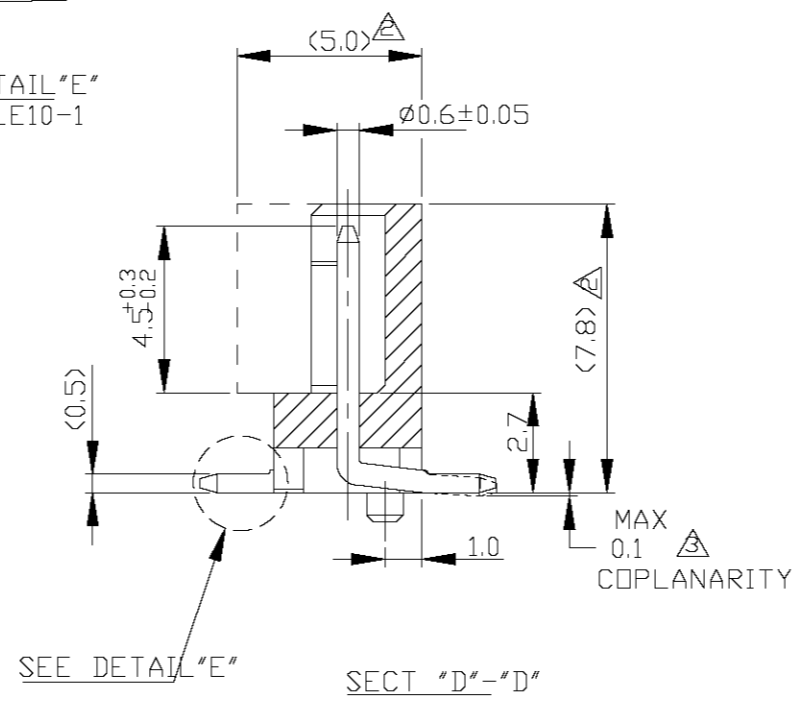
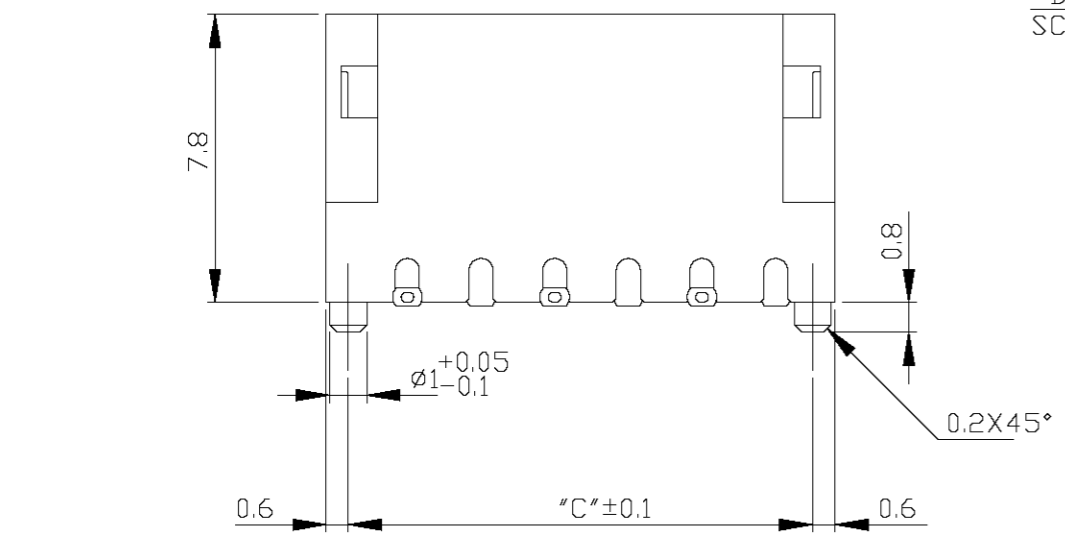
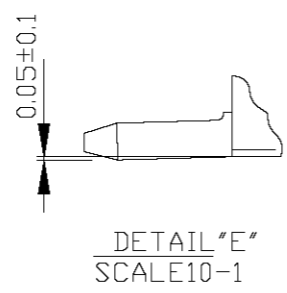


THIS DRAWING IS UNPUBLISHED. RELEASED FOR PUBLICATION
 © COPYRIGHT BY TYCO ELECTRONICS CORPORATION. ALL RIGHTS RESERVED.

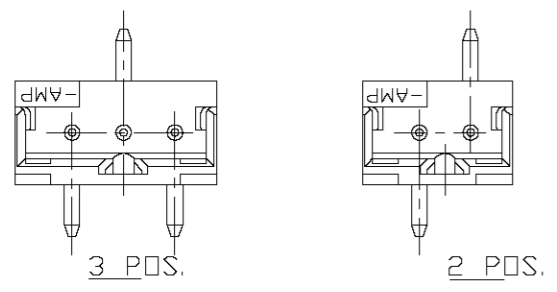
LOC		DIST		REVISIONS					
FB		00		P	LTR	DESCRIPTION	DATE	DWN	APVD
				A	REVISED	ECR-05-000512	19JAN06	C.W	S.Y



- MATERIAL: HOUSING-6T PA G.F.30%(UL94V0)
COLOR- BLACK OR NATURAL
POST- TIN BRASS
- △ OCCUPANT AREA ON PC BOARD
(AFTER CONNECTOR MATING)
- △ TO BE MEASURED WITH CONNECTOR PLCD ON
HORIZONTAL DATUM SURFACE, FLOAT OF SOLDER
TINE FROM DATUM SURFACE IS 0.1mm MAX.
- TUBE P/N 8-720999-6
- PRODUCT MUST COME OUT SMOOTHLY FROM
TUBE AT INCLINING THE TUBE TO 45°



20	20.0	16.0	18.8	9	6-292171-9	292171-9
25	18.0	14.0	16.8	8	6-8	8
30	16.0	12.0	14.8	7	6-7	7
30	14.0	10.0	12.8	6	6-6	6
40	12.0	8.0	10.8	5	6-5	5
45	10.0	6.0	8.8	4	6-4	4
60	8.0	4.0	6.8	3	6-3	3
80	6.0	2.0	4.8	2	6-292171-2	292171-2
QTY'S/ TUBE	"A"	"B"	"C"	POS.	NATURAL	BLACK



TOLERANCES UNLESS OTHERWISE SPECIFIED:

10**	: ±0.2
30**>10	: ±0.25
100**>30	: ±0.3
ANGEL	: ±3°

THIS DRAWING IS A CONTROLLED DOCUMENT.

DIMENSIONS:	TOLERANCES UNLESS OTHERWISE SPECIFIED:	DWN	23JAN03	 Tyco Electronics Corporation Harrisburg, Pa 17105-3608
mm		CHK	23JAN03	
		APVD	23JAN03	
		PRODUCT SPEC		
		APPLICATION SPEC		NAME
MATERIAL	FINISH	108-60016		TUBE PACKING AMP CT CONN POST HDR ASS'Y (STD-V SMT)
		WEIGHT		SIZE
				CAGE CODE
				DRAWING NO
				RESTRICTED TO
				A3 00779 C=292171
				CUSTOMER DRAWING
				SCALE 1:1
				SHEET 1 OF 1
				REV A